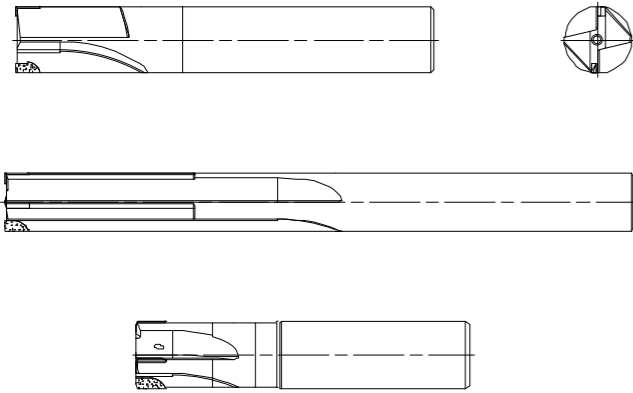


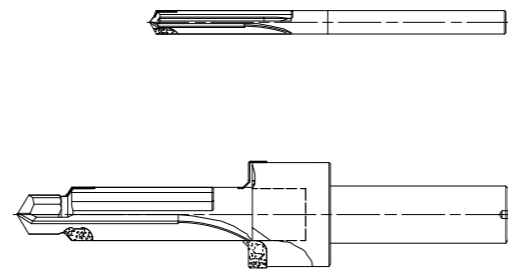
## PCD Reamer

High precision reamer can finish the IT grade hole of 7-8 level, with surface roughness below Ra0.1 ;  
 Designing with chamfering edge, high precision reamer can process hole and chamfer simultaneously.

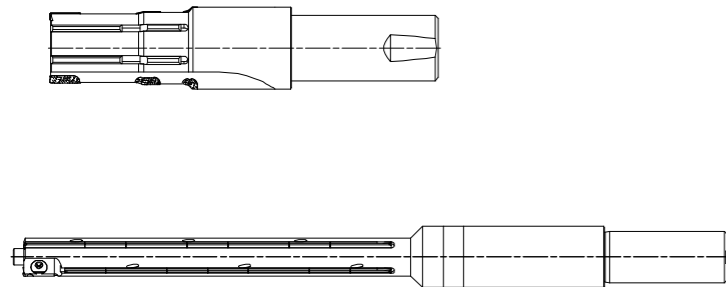
Reamer



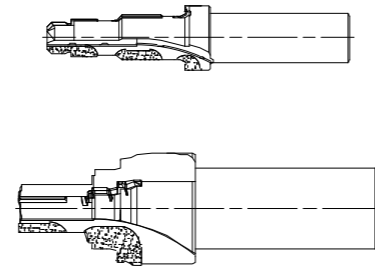
Drilling Reamer



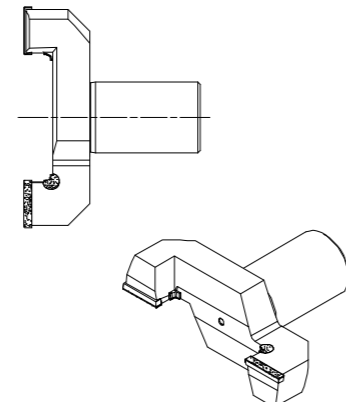
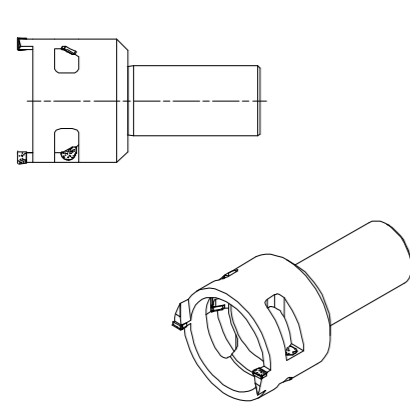
Guide Reamer



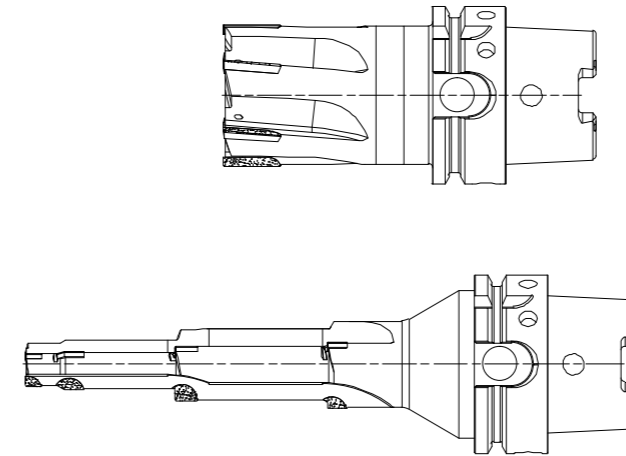
Step Reamer



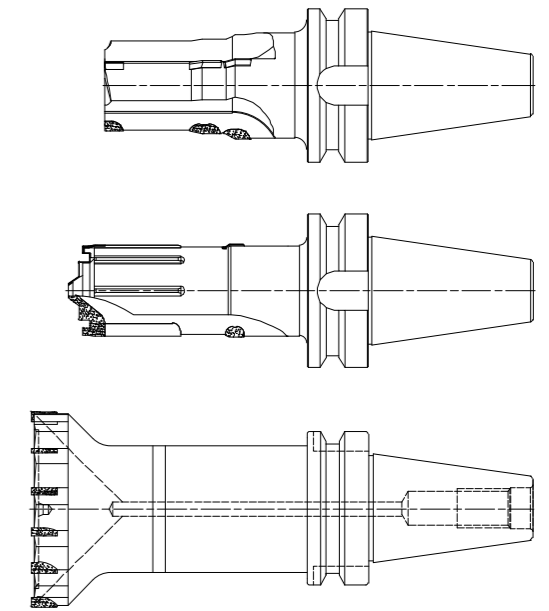
Profile Reamer



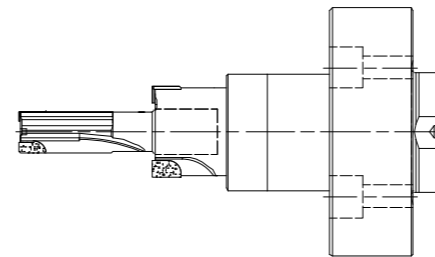
HSK Bit Holder Tool



HSK/BT Bit Holder Tool



Flange Type Hilt Tool



Tool picture



Custom-tailor the nonstandard PCD reamer and milling cutter, provide the grinding service.