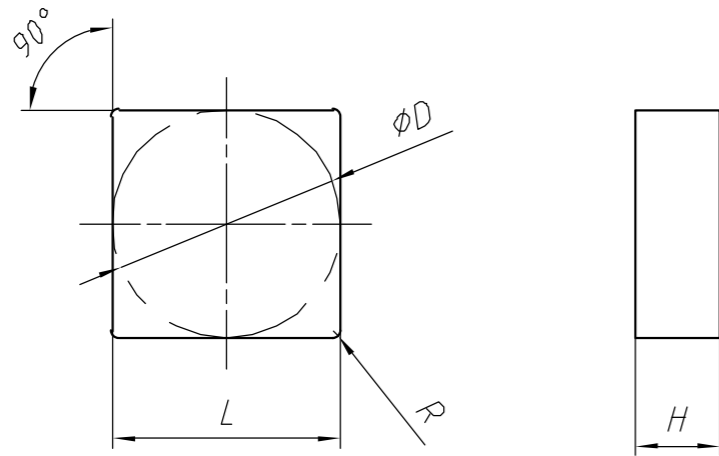
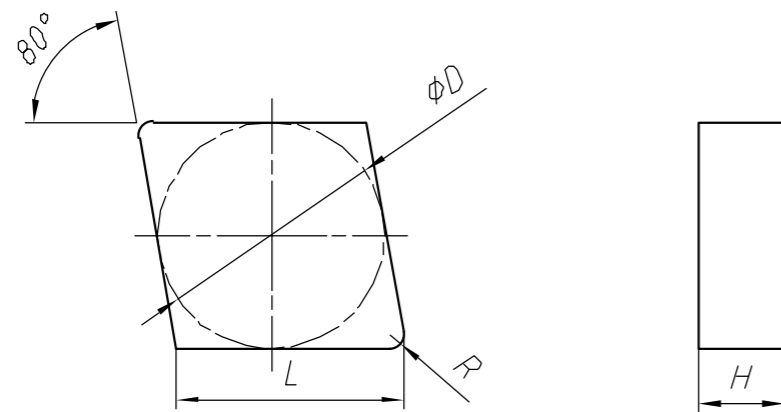


Solid CBN Insert

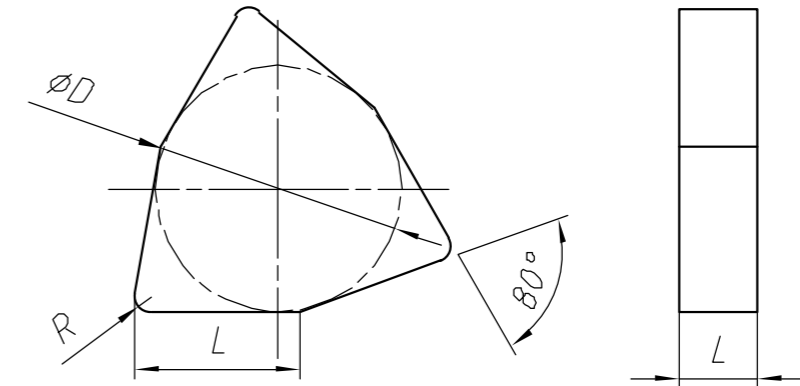


Cat. No.	Basic Parameters				Materials		
	ISO	L	ϕD	H	R	PN805	PN806
SNMN 120408	12.7	12.7	4.76	0.8	▲	▲	
SNMN 12T612	12.7	12.7	6.75	1.2	▲	▲	
SNMN 150720	15.875	15.875	7.94	2.0	▲	▲	
SNMN 201020	20	20	10.00	2.0	▲	▲	

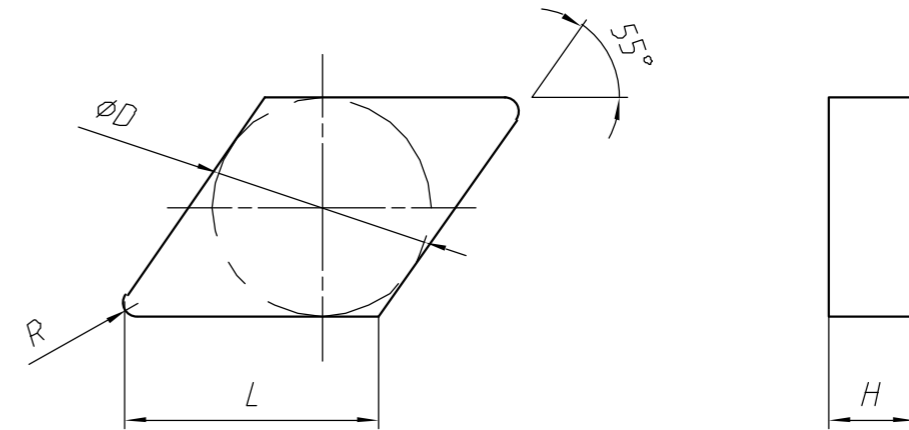


Cat. No.	Basic Parameters				Materials		
	ISO	L	ϕD	H	R	PN805	PN806
CNMN 120404	12.7	12.7	4.76	0.4	▲	▲	
CNMN 12T608	12.7	12.7	6.75	0.8	▲	▲	
CNMN 150712	15.875	15.875	7.94	1.2	▲	▲	

Solid CBN Insert

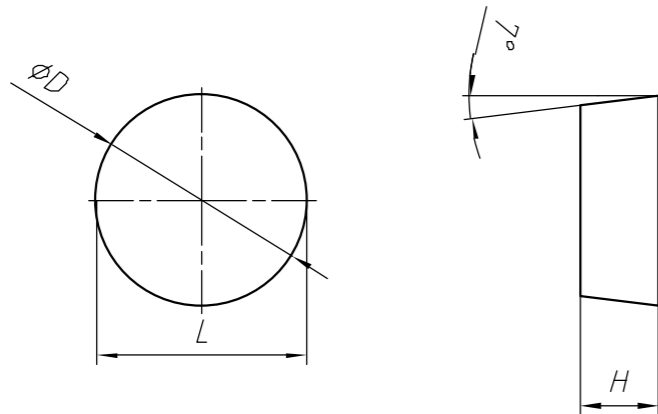


Cat. No.	Basic Parameters				Materials		
	ISO	L	ϕD	H	R	PN805	PN806
WNMN 060304T02020	6.5	9.525	3.18	0.4	▲	▲	
WNMN 080408T02020	8.72	12.7	4.76	0.8	▲	▲	
WNMN 080412T02020	8.72	12.7	4.76	1	▲	▲	

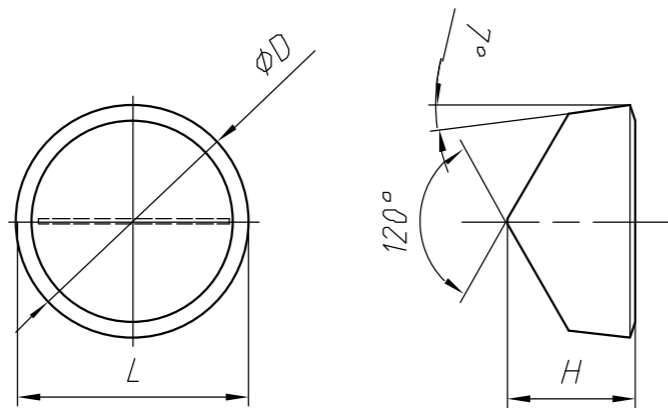


Cat. No.	Basic Parameters				Materials		
	ISO	L	ϕD	H	R	PN805	PN806
DNUN 110404	11.0	9.525	4.76	0.4	▲	▲	
SNMN 11T608	11.0	9.525	6.75	0.8	▲	▲	

Solid CBN Insert

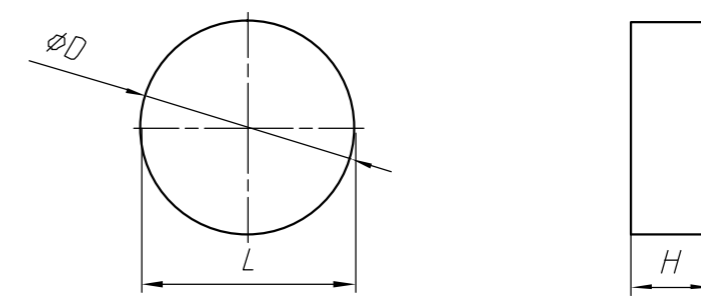


Cat. No.	Basic Parameters				Materials		
	ISO	L	φD	H	R	PN805	PN806
RCMN 12T600	12.7	12.7	6.75	-	▲	▲	
RCMN 150700	15.875	15.875	7.94	-	▲	▲	
RCMN 190700	19.050	19.050	7.94	-	▲	▲	

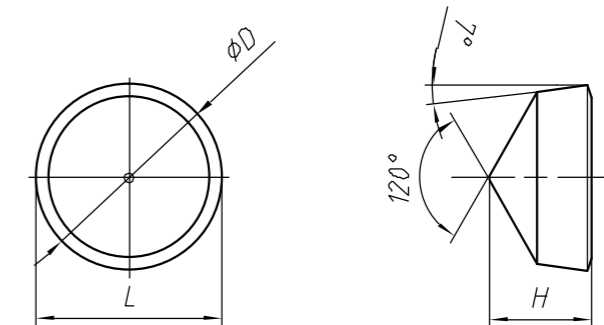


Cat. No.	Basic Parameters				Materials		
	ISO	L	φD	H	R	PN805	PN806
RCMX 090700	9.525	9.525	7.94	-	▲	▲	
RCMX 120700	12.7	12.7	7.94	-	▲	▲	
RCMX 151000	15.875	15.875	10.00	-	▲	▲	
RCMX 191000	19.05	19.05	10.00	-	▲	▲	
RCMX 201200	20	20	12.70	-	▲	▲	
RCMX 251200	25.0	25.0	12.70	-	▲	▲	

Solid CBN Insert



Cat. No.	Basic Parameters				Materials		
	ISO	L	φD	H	R	PN805	PN806
RCMX 080400	8.5	8.5	4.76	-	▲	▲	
RCMX 090400	9.525	9.525	4.76	-	▲	▲	
RCMX 120400	12.7	12.7	4.76	-	▲	▲	
RCMX 12T600	12.7	12.7	6.75	-	▲	▲	
RCMX 150700	15.785	15.785	7.94	-	▲	▲	
RCMX 200700	20	20	7.94	-	▲	▲	
RCMX 201000	20	20	10.00	-	▲	▲	
RCMX 251000	25.4	25.4	10.00	-	▲	▲	



Cat. No.	Basic Parameters				Materials		
	ISO	L	φD	H	R	PN805	PN806
RCMX 090700Y	9.525	9.525	7.94	-	▲	▲	
RCMX 120700Y	12.7	12.7	7.94	-	▲	▲	
RCMX 150700Y	15.875	15.875	7.94	-	▲	▲	
RCMX 190700Y	19.05	19.05	7.94	-	▲	▲	
RCMX 200700Y	20	20	7.94	-	▲	▲	